

VP-Series

VP-Series

CONTURA ILLUMINATED INDICATORS

The Illuminated Indicator is offered with removable/replaceable lamps, Contura styling, and LED illumination. As a critical safety feature, it's illumination alerts the operator of essential system functions or malfunctions like: oil pressure, high temperature, transmission or other fluid levels, parking brake, or general system malfunction. Three different style housings (flush, raised panel, oval) assure seamless integration with Contura switches and into most any dashboard panel.



Product Highlights:

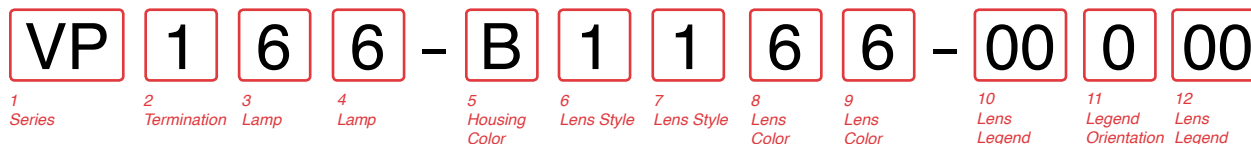
- 3 Styles to choose from
- Single or double window Illumination
- 25 lens colors and configurations
- Available connector for easily installation

Typical Applications:

- Transportation



Flush Housing:



1 SERIES
VP Illuminated plug for V and J Mounting Hole
H2 Housing only
H3 Lamp module only

2 TERMINATION
1 .250 TAB (QC)

3, 4 LAMP 4
 No lamp **0**
 Neon **1** 125VAC **2** 250VAC
 Incandescent **4** 3V **5** 6V **6** 12V **7** 18V **8** 24V
 LED* **A** Amber **B** Green **C** Red
 2VDC **L** **F** **R**
 6VDC **M** **G** **S**
 12VDC **N** **H** **T**
 24VDC **P** **J** **V**
 *Typical current draw for LED is 20ma.

5 FLUSH HOUSING COLOR / STYLE
B Black / Rectangular
W White / Rectangular
R Red / Rectangular
G Gray / Rectangular
1 Black / Oval (Contura V)

6, 7 LENS STYLE 5
Z No Lens
1 Transparent Diamond Square
2 Translucent Square 9
3 Laser Etched 10
4 Transparent Oval
5 Translucent Oval
6 Laser Etched Oval 10

8, 9 LENS COLOR 6, 11
Z No Lens
 Clear **9** **E** **K** **R** **W** Lens Style
4 **9** **E** **K** **R** **W** One piece lens
5 **A** **F** **L** **S** **Y** Two piece lens*
 (with **clear top** protective lens)
2 **7** **C** **H** **N** **U** Two piece lens*
 (with **smoke top** protective lens)
1 **6** **B** **G** **M** **T** Two piece lens*
 (with **white top** protective lens)
 *All bottom lenses are molded of opaque material. Consult factory for other lens colors.

10 LENS LEGEND OVER LAMP 1 7
00 No legend
 For legend options, visit us at carlingtech.com

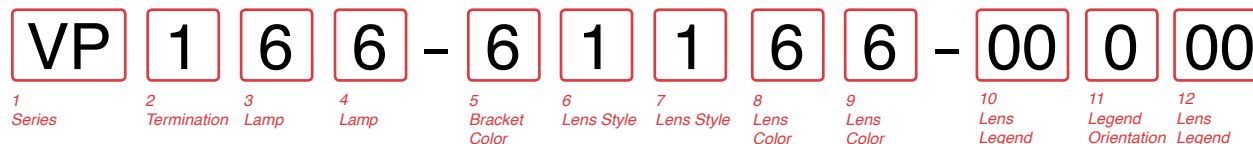
11 LEGEND ORIENTATION
0 No legend
1 Orientation 1
2 Orientation 2
3 Orientation 3
4 Orientation 4

12 LENS LEGEND OVER LAMP 2 7
00 No legend
 For legend options, visit us at carlingtech.com

- Notes:
- To order housing only, specify H2 followed by fields 5-11.
 - To order lamp module only, specify H3 followed by fields 2-3.
 - To order connector housing specify HP1-01 (black).
 - Field 3 specifies lamp 1 is located over terminals 1A & 1B. Field 4 specifies lamp 2 is located over terminals 2A & 2B.
 - Field 6 specifies lens 1 is located over terminals 1A & 1B. Field 7 specifies lens 2 is located over terminals 2A & 2B. Field 8 specifies lens 1 is located over terminals 1A & 1B. Field 9 specifies lens 2 is located over terminals 2A & 2B.
 - Field 10 specifies legend is over lens 1. Field 12 specifies legend is over lens 2.
 - If only one lens is chosen, it will be located over terminals 1A & 1B.
 - Translucent lens is available with two piece lens option only.
 - Laser etched option is available with one piece lens.
 - Oval lens option is available as one piece lens.

*Manufacturer reserves the right to change product specification without prior notice.

Raised Bracket:



1 SERIES
VP Illuminated plug for V and J Mounting Hole

2 TERMINATION
1 .250 TAB (QC)
2 Solder Lug

3, 4 LAMP 1
 No lamp **0**
 Neon **1** 125VAC **2** 250VAC
 Incandescent **4** 3V **5** 6V **6** 12V **7** 18V **8** 24V
 LED* Amber Green Red
 2VDC **L** **F** **R**
 6VDC **M** **G** **S**
 12VDC **N** **H** **T**
 24VDC **P** **J** **V**
 *Typical current draw for LED is 20ma.

5 RAISED BRACKET / INSERT COLOR
5 White / White
6 Black / Black
7 White / Black
8 Black / White

6, 7 LENS STYLE 2
Z No Lens
1 Transparent Diamond Square
2 Translucent Square 6
3 Laser Etched 7

8, 9 LENS COLOR 3
Z No Lens
 Clear White Amber Green Red Blue Lens Style
4 **9** **E** **K** **R** **W** One piece lens
5 **A** **F** **L** **S** **Y** Two piece lens*
 (with **clear top** protective lens)
2 **7** **C** **H** **N** **U** Two piece lens*
 (with **smoke top** protective lens)
1 **6** **B** **G** **M** **T** Two piece lens*
 (with **white top** protective lens)
 *All bottom lenses are molded of opaque material. Consult factory for other lens colors.

10 LENS LEGEND OVER LAMP 1 4
00 No legend
 For legend options, visit us at carlingtech.com

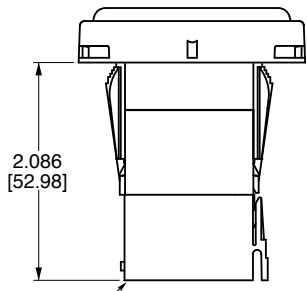
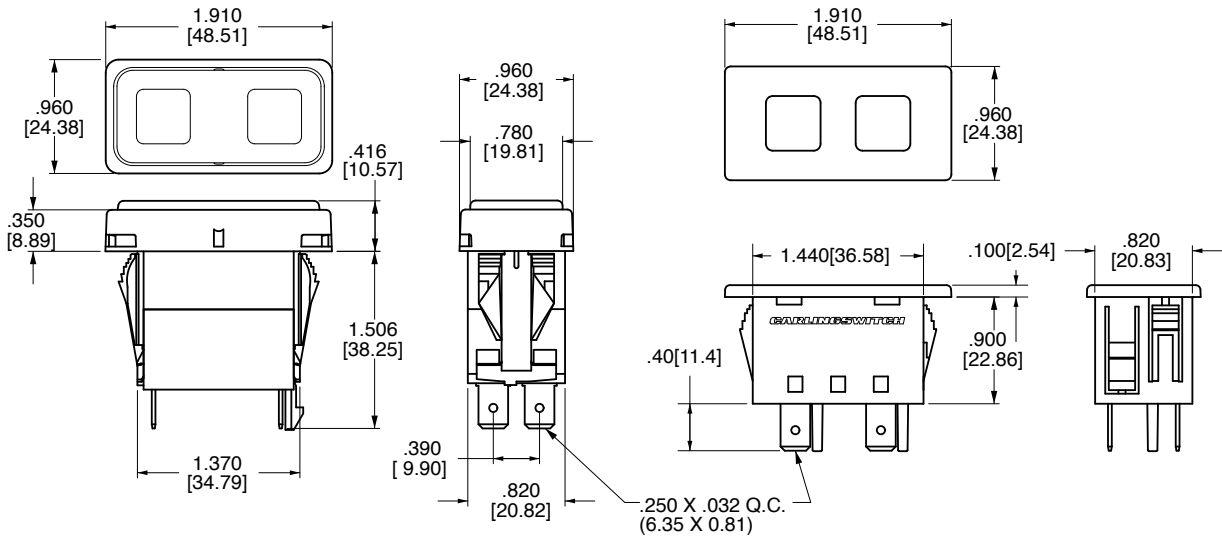
11 LEGEND ORIENTATION
0 No legend
1 Orientation 1
2 Orientation 2
3 Orientation 3
4 Orientation 4

12 LENS LEGEND OVER LAMP 2 4
00 No legend
 For legend options, visit us at carlingtech.com

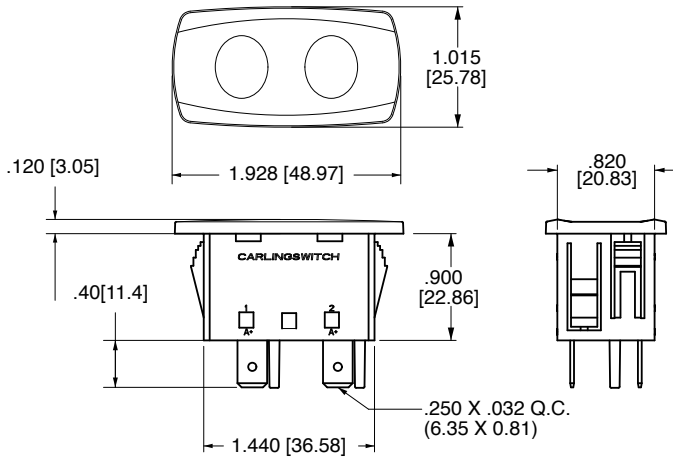
- Notes:
- Field 3 specifies lamp 1 is located over terminals 8 (+) & 7 (-).
Field 4 specifies lamp 2 is located over terminals 10 (+) & 9 (-).
 - Field 6 specifies lens 1 is located over terminals 8 (+) & 7 (-).
Field 7 specifies lens 2 is located over terminals 10 (+) & 9 (-).
 - Field 8 specifies lens 1 is located over terminals 8 (+) & 7 (-).
Field 9 specifies lens 2 is located over terminals 10 (+) & 9 (-).
 - Field 10 specifies legend is over lens 1.
Field 12 specifies legend is over lens 2.
 - If only one lens is chosen, it will be located over terminals 8 (+) & 7 (-).
 - Translucent lens is available with two piece lens option only.
 - Laser etched option is available with one piece lens.

*Manufacturer reserves the right to change product specification without prior notice.

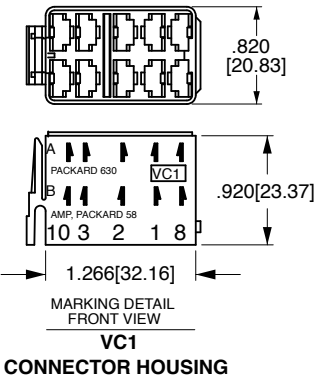
Dimensional Specifications: in. [mm]



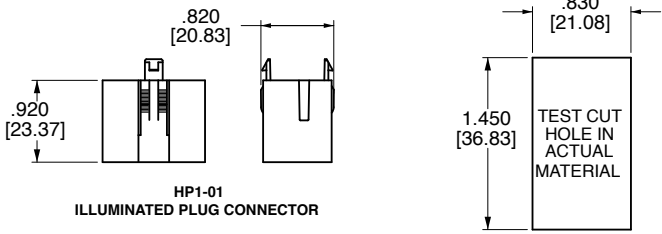
PLUG SHOWN WITH VC1 CONNECTOR



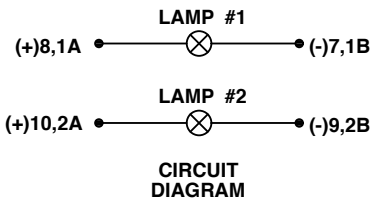
HP1-01 ILLUMINATED PLUG CONNECTOR



VC1 CONNECTOR HOUSING



ILLUMINATED PLUG MOUNTING HOLE (OVAL, FLUSH AND RAISED BEZELS)



(OVAL, FLUSH AND RAISED BEZELS) MOUNTING PANEL THICKNESSES:

.062 [1.57]	.250 [6.35]
.093 [2.36]	.375 [9.52]
.125 [3.17]	.500 [12.70]
.187 [4.75]	

Notes: Oval and flush bezel styles use terminals 1A, 1B, 2A, 2B. Raised bezel style uses terminals 7, 8, 9, 10.